

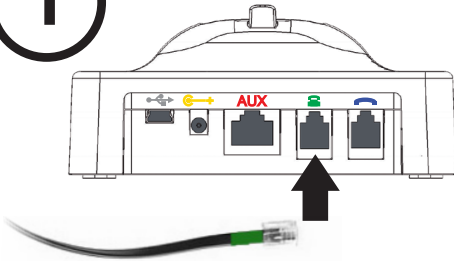


Headset Jack Installation – Quick Start Guide



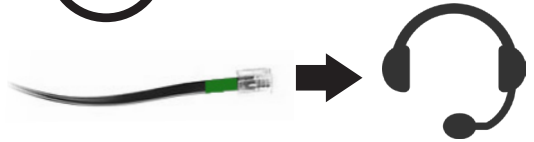
Does your office phone have a headset button? If so, you're in the right place. If not, flip this guide over for installation instructions

1



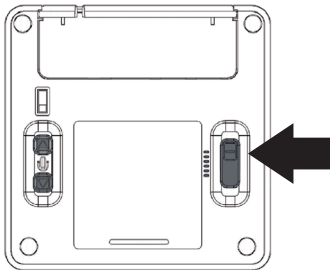
Plug one end of the green cord into the green telephone connector jack on the back of your Leitner base

2



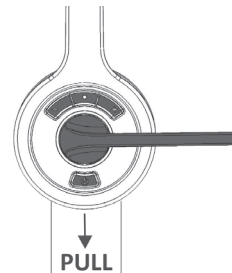
Plug the other end of the green cord into the headset jack of your phone. If you don't have a headset jack, go to Step 1 on the reverse side

3



Ensure the Compatibility Switch is set correctly (most phones use setting 1). You can always call us to get the correct setting for your phone

4



Plug the AC adapter into your base and gently pull out the tab from your headset to activate the battery. Set your headset in the base and let it charge for at least 4 hours before using

Questions? Just want to see if your speaking volume is loud and clear? We're happy to help!

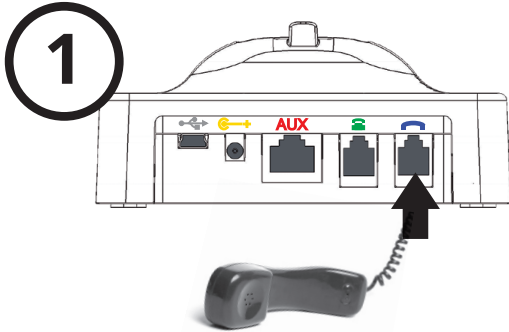
Call us at 1-800-432-3738, Monday through Friday 6am–4:30pm Pacific Time, for FREE lifetime support



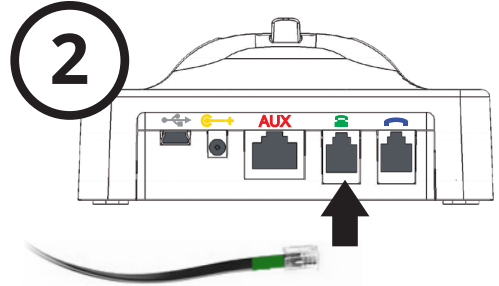
Handset Jack Installation – Quick Start Guide



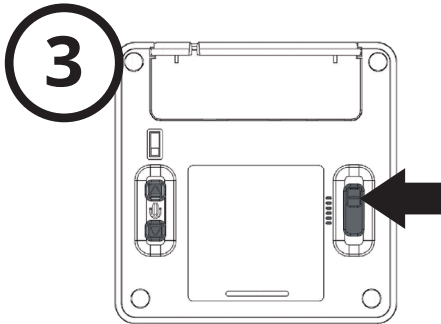
Does your office phone have a headset button? If so, flip this guide over for installation instructions via the headset jack



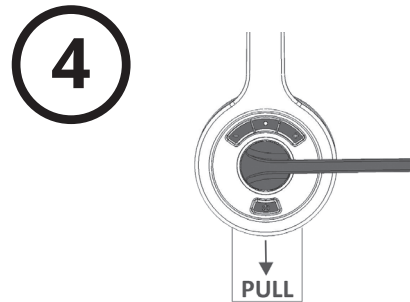
Unplug the telephone handset's curly cord from your phone base and plug into the blue handset jack on the back of your Leitner base



Plug the green telephone cord into the green telephone connector jack on the back of your base. Plug the other end of the green cord into the *handset jack* of your phone



Ensure the Compatibility Switch is set correctly (most phones use setting 1). You can always call us to get the correct setting for your phone



Plug the AC adapter into your base and gently pull out the tab from your headset to activate the battery. Set your headset in the base and let it charge for at least 4 hours before using

Questions? Just want to see if your speaking volume is loud and clear? We're happy to help!

Call us at 1-800-432-3738, Monday through Friday 6am–4:30pm Pacific Time, for FREE lifetime support