

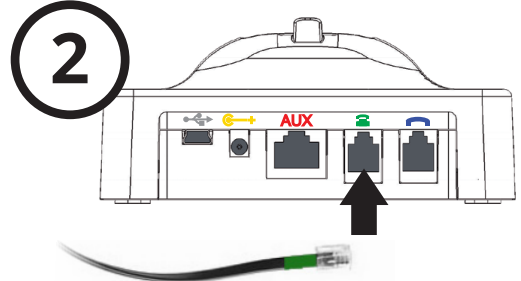
LH270/LH275 Quick Start Guide

Installing *without* a headset icon on your phone

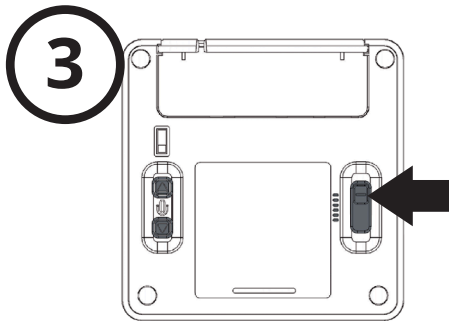
Flip to the other side if your phone has a headset icon



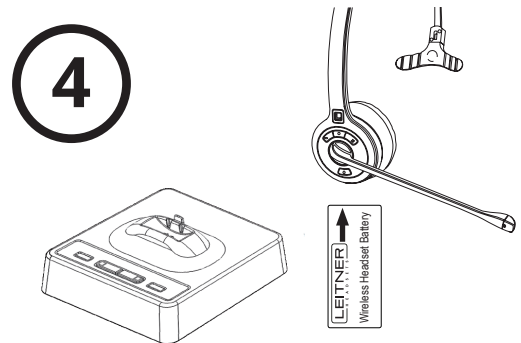
Unplug the telephone handset's curly cord from your phone base and plug into the Handset Port on the LH270 or LH275



Plug one end of the telephone cord (green cord) into the Handset Jack of your phone. Plug the other end into the Telephone Connector Port (TEL Port) on the LH270 or LH275 base



Ensure the Compatibility Switch is set correctly (most phones use setting 1). You can always call us to get the correct setting for your phone



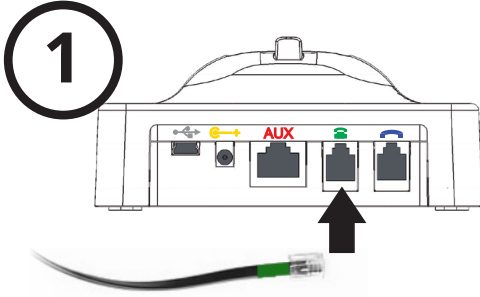
Plug in your base and install the battery into the headset (instructions inside the battery bag). Let it charge for at least 4 hours. Enjoy better sounding phone calls!

*Questions? Just want to see if your speaking volume is loud and clear? We're happy to help!
Call us at 1-800-432-3738, Monday through Friday 6am-4:30pm Pacific Time, for FREE lifetime support*

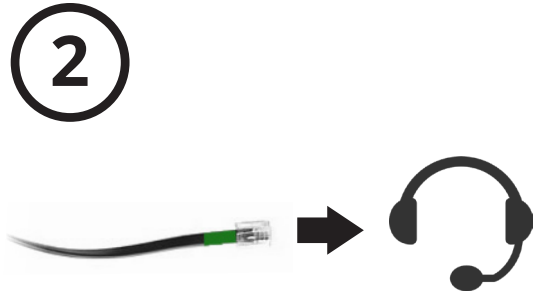
LH270/LH275 Quick Start Guide

Installing *with* a headset icon on your phone

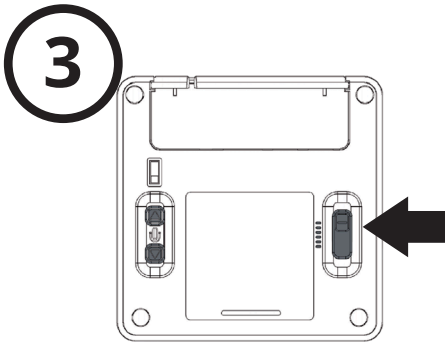
Flip to the other side if your phone doesn't have a headset icon



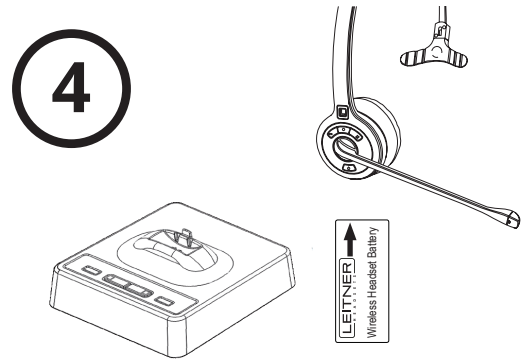
Plug one end of the telephone cord (green cord) into the Telephone Connector Port (TEL Port) on the LH270 or LH275 base



Plug the other end of the telephone cord into the Headset Jack of your phone



Ensure the Compatibility Switch is set correctly (most phones use setting 1). You can always call us to get the correct setting for your phone



Plug in your base and install the battery into the headset (instructions inside the battery bag). Let it charge for at least 4 hours. Enjoy better sounding phone calls!

Questions? Just want to see if your speaking volume is loud and clear? We're happy to help!
Call us at 1-800-432-3738, Monday through Friday 6am-4:30pm Pacific Time, for FREE lifetime support